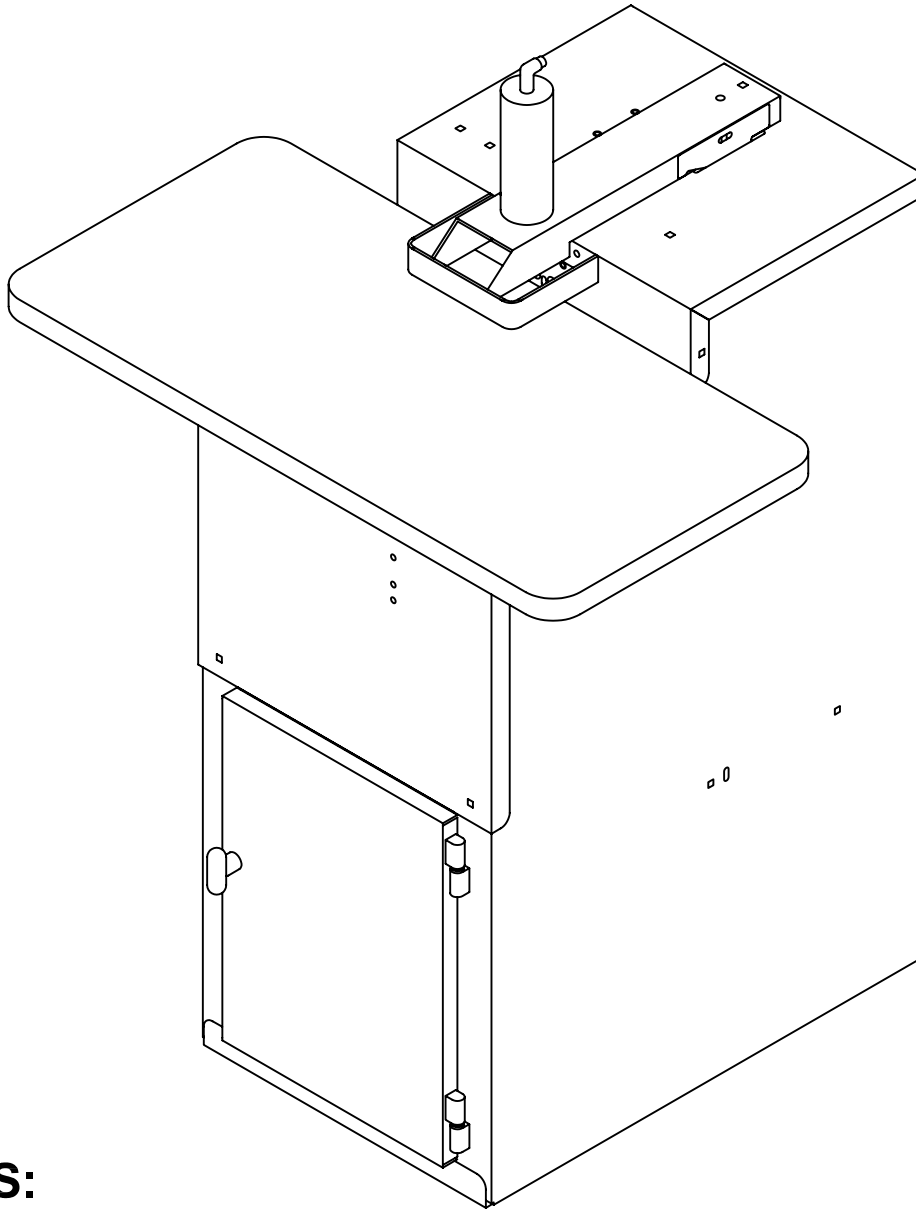




TSM-21

POCKET HOLE MACHINE

Parts List



NOTES:

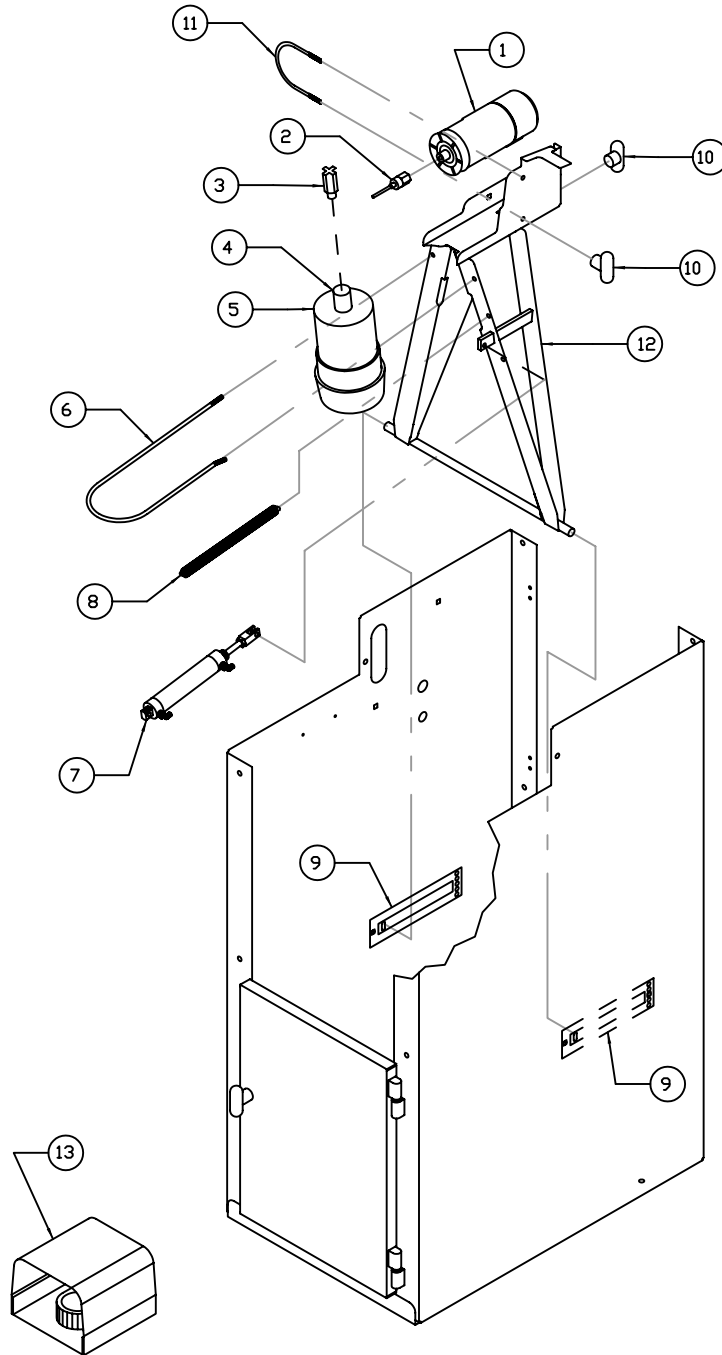
1. CASE DETAILS ON PAGE 2
2. ROUTER CARRIAGE DETAILS ON PAGE 3
3. CONTROL BOX DETAIL ON PAGE 4



TSM-21

POCKET HOLE MACHINE

Parts List





CASE ASSEMBLY - Drawing 2 of 4

Item #	Part #	Part Description	Qty
1	E21610	Drill Motor, Bosch PR10E 1.0 HP Motor	1
2	B00964	Castle Drill Bit, 9/64 Cobalt w/ 1/4" Shank	1
3	B00338	Solid Carbide 3/8" Three Flue Router Bit	1
4	D21638	Collet Assembly, 3/8 Bosch	1
5	E21617	Router Motor, Bosch 1617 2 HP Motor	1
6		Motor Mount U-Bolt Assembly	
	N21142	Motor Mount U-Bolt, 1/4-20 ZP	1
	F01420	Nut, Nylon Lock, 1/4-20 ZP	1
	F01410	Washer, 1/4 SAE ZP	1
7	C21004	Drive Cylinder Assembly	
	P21306	Cylinder, 1.06 Bore x 3" Stroke, SS Rod	1
	D07130	Rod Clevis, 1/4"	1
	D14034	Clevis Pin, 1/4 x 3/4 ZP	1
	D14934	Hairpin, 1/4 ZP	1
	F51620	Nut, Jam, 5/16-24 ZP	1
	P00535	1/8 NPT x 5/32 PI Swivel Elbow	2
8		Extension Spring Assembly	
	H25061	Spring, Extension, .562 OD x 8.25 L x .062 Dia. ZP	1
	D14100	Clevis Pin, 1/4 x 1	1

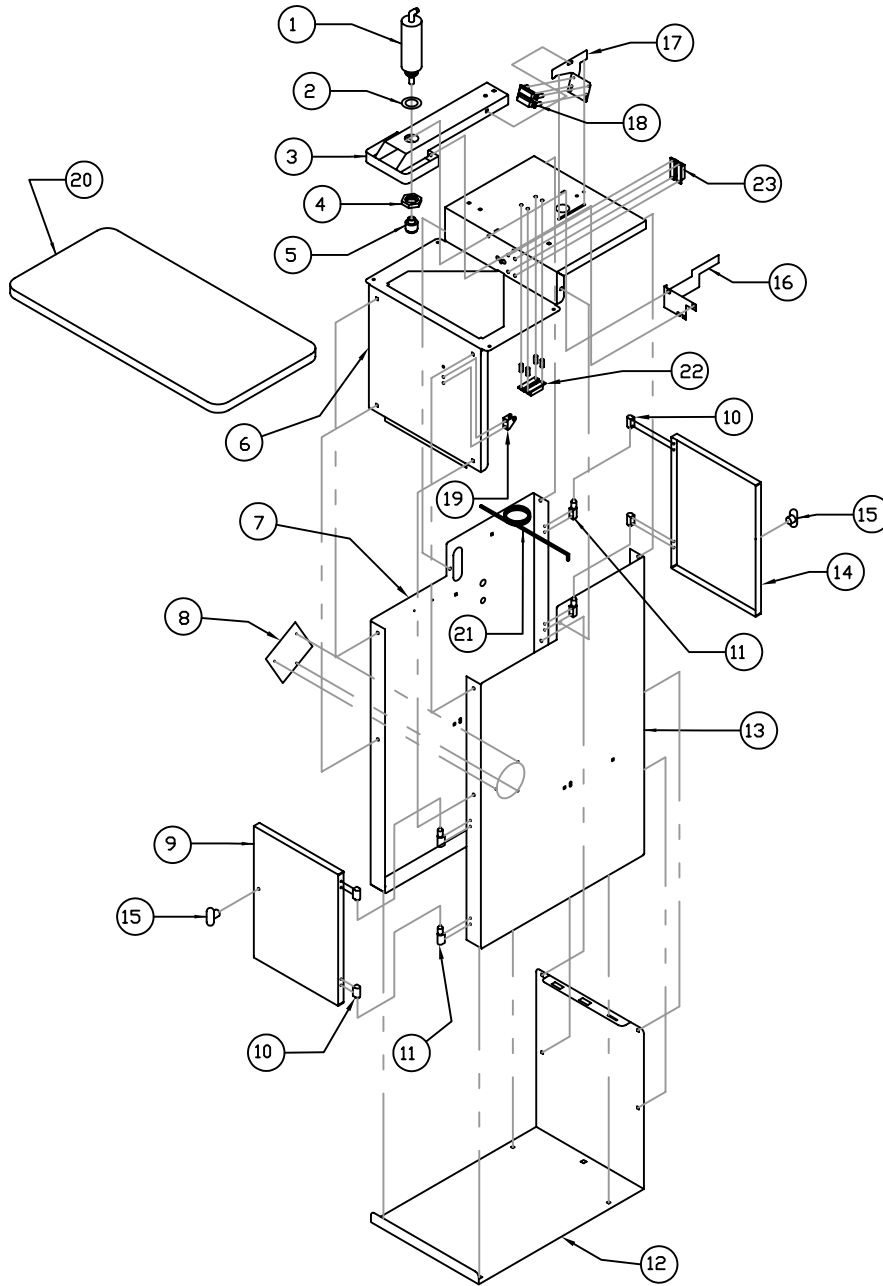
Item #	Part #	Part Description	Qty
9		Bearing Jack Assembly	
	M21044	Bearing Jack, ZP	2
	F14340	Carriage Screw, 1/4-20 x 3/4 ZP	4
	F01420	Nut, Nylon Lock, 1/4-20 ZP	4
10	H00141	Bar Knob, Black Plastic, 1/4-20	2
11		Drill Motor U-Bolt Assembly	
	N21143	TSM-21 Trimmer U-Bolt	1
	F01410	1/4 SAE Flat Washer	2
	F01420	1/4-20 Nylon Insert Locknut	1
12		Motor Carriage Assembly	
	G21123	Motor Carriage Weldment	1
	N03442	Bushing, 3/4" Hex Carriage Pivot, Brass	2
	F14458	Screw, Cup Point Socket Set, 1/4-20 x 1-1/4	2
	F01420	Nut, Nylon Lock, 1/4-20 ZP	2
13		Foot Switch Assembly	
	E00491	Switch, Foot Activated, Linemaster 491-SC36 w/Cord	1
	M00235	Guard, Castle Universal Footswitch	1
	F40388	Screw, Oval Head Self-Tapping, #4 x 3/8 SS	2



TSM-21

POCKET HOLE MACHINE

Parts List





CASE ASSEMBLY - Drawing 3 of 4

Item #	Part #	Part Description	Qty
1	Clamp Cylinder		
	P00215	Cylinder, Spring Return, 2" Bore, 1.5" Stroke, SS Rod	1
	P14414	Fitting, 1/4 NPT x 1/4 Push in Elbow	1
2	H10138	Washer, Fiber, 1-3/8 ID	1
3	Clamp Guard		
	M00210	Clamp Guard, Yellow	1
	F14234	Carriage Bolt, 1/4-20 x 1-3/4 ZP	1
	F14478	Screw, Skt Hd Cap Screw, 1/4-20 x 7/8 Bk Oxide	2
	F14202	Nut, Pem Self Clinching, 1/4-20 #2	2
	F01410	Washer, 1/4 SAE ZP	2
F01420	Nut, Nylon Lock, 1/4-20 ZP	3	
4	F11412	Nut, Hex Jam 1-1/4-12 ZP	1
5	Clamp Foot Assembly		
	C00200	Clamp Foot, Small Zinc Plated	1
	N21351	Clamp Foot, Small Zinc Plated	1
	N70118	Pad, Polyurethane 1-1/8"	1
F12222	Nut, Hex Jam, 1/2-20 ZP	1	
6	Case Top Assembly		
	G21002	Case Top, Green	1
	F14212	Carriage Screw, 1/4-20 x 1/2 ZP	4
	F14234	Carriage Bolt, 1/4-20 x 1-3/4 ZP	1
	F01420	Nut, Nylon Lock, 1/4-20 ZP	5
	F08012	Screw, Pan Phillips Machine, 8-32 x 1/2 ZP	1
	F08032	Nut, Nylon Lock, 8-32 ZP	1
	D08320	Cable Tie Holder, Small White, Nylon	1
	S21001	Label, TSM-21 Model Number	1
	S00301	Label, Warning, Keep Hands Clear, Lexan	1
	S11635	Label, Made in USA	1
	S17578	Label, Caution, "Wear Safety Glasses"	1

Item #	Part #	Part Description	Qty
7	Case Left Side Assembly		
	G21003	Case Left Side, Green	1
	F14212	Carriage Screw, 1/4-20 x 1/2 ZP	2
	F01420	Nut, Nylon Lock, 1/4-20 ZP	2
	S00320	Label, Serial Number	1
8	Dust Hole Cover		
	M21009	Dust Hole Cover	1
	F87192	Screw, Pan Phillips Machine, 8-23 x 3/8 Thrd Cutting	3
9	M00400	Door, Front, Black W/ Logo	1
10	Door Hinge Assembly		
	D00720	Hinge, Plastic, Black, Female	2
	F10010	#12X1/2 Self Tapping SMS	4
11	Case Hinge Assembly		
	D00710	Hinge, Plastic, Black, Male	2
	F10010	#12X1/2 Self Tapping SMS	4
12	Case Bottom Assembly		
	G21001	Case Bottom, Green	1
	F14212	Carriage Screw, 1/4-20 x 1/2 ZP	4
	F01420	Nut, Nylon Lock, 1/4-20 ZP	4
	F38034	Carriage Screw, 3/8-16 x 3/4 ZP	3
	F38160	Nut, Nylon Lock, 3/8-16 ZP	3
F12120	Washer, 1/2 SAE ZP	2	
13	Case Right Side Assembly		
	G21004	Case Right Side	1
	F14212	Carriage Screw, 1/4-20 x 1/2 ZP	2
	F01420	Nut, Nylon Lock, 1/4-20 ZP	2



CASE ASSEMBLY - Drawing 3 of 4

Item #	Part #	Part Description	Qty
14		Rear Door Assembly	
	M21012	Rear Door, Black	1
	F02014	Washer, 1/4 ID x 2 OD, ZP	1
	F14212	Carriage Screw, 1/4-20 x 1/2 ZP	1
	F01420	Nut, Nylon Lock, 1/4-20 ZP	1
	S21002	Label, Wiring Diagram	1
15		Door Handle Assembly	2
	C00015	Door Handle Assembly	2
	H00141	Bar Knob, Black Plastic, 1/4-20	1
	N00101	Spring Door Clip	1
	F14125	Screw, Hex Head Cap, 1/4-20 x 1/2 ZP	1
16		Safety Switch Blade Assembly	
	C21101	Safety Switch Blade Assembly	
	M21016	Safety Switch Blade	1
	F10327	Screw, Button Head Socket, 10-32 x 7/8 Bk Oxide	2
17		Router Stop Plate Assembly	
	G21007	Router Stop Plate, Black	1
	F14340	Carriage Screw, 1/4-20 x 3/4 ZP	1
	F01420	Nut, Nylon Lock, 1/4-20 ZP	1
	F01410	Washer, 1/4 SAE ZP	1
18		Router Stop Switch Assembly	
	E10850	Actuator, Magnetic	1
	E10850	Switch, Magnetic Reed	1
	F08012	Screw, Pan Phillips Machine, 8-32 x 1/2 ZP	4
	F08032	Nut, Nylon Lock, 8-32 ZP	4

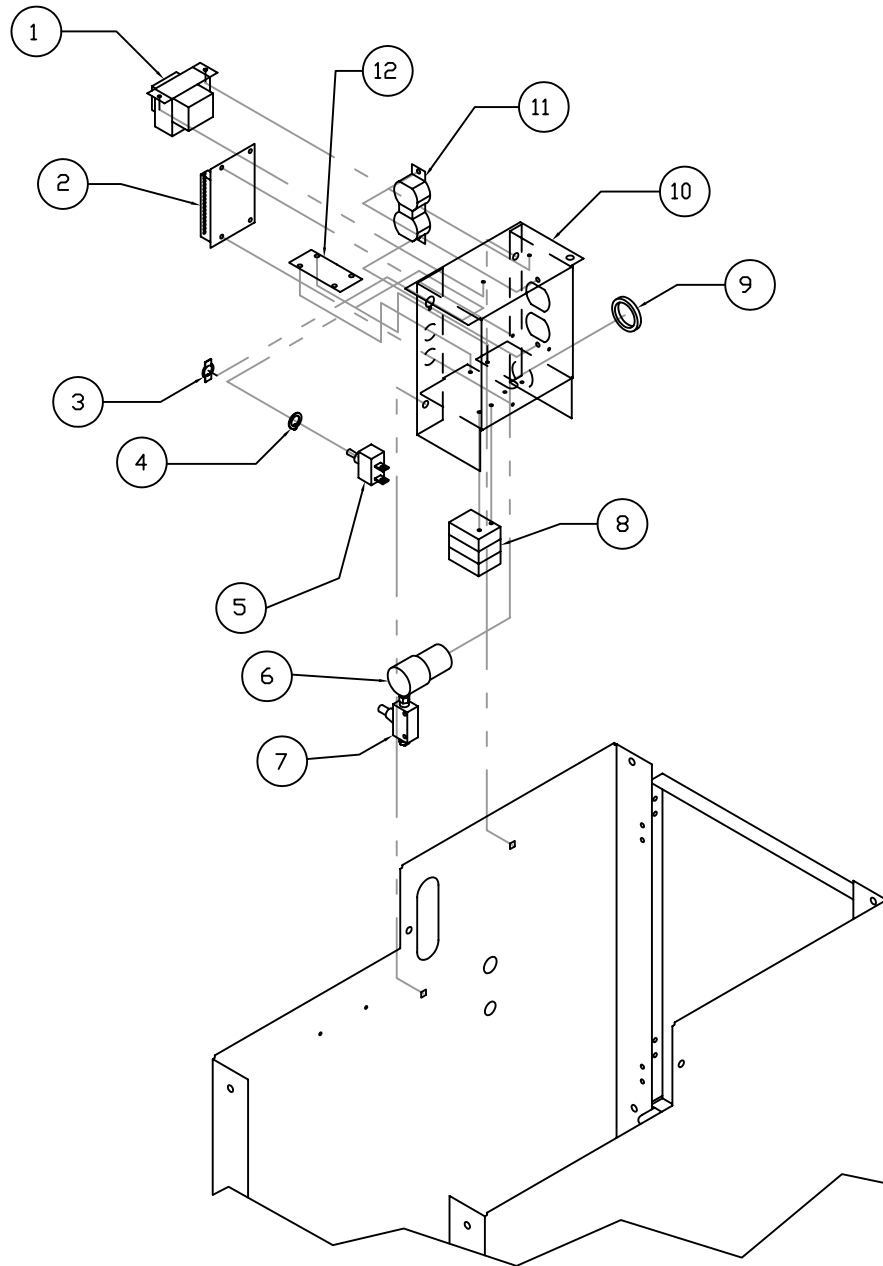
Item #	Part #	Part Description	Qty
19		Clevis Bracket Assembly	
	D07111	Clevis Bracket, 1/4" ZP BP11-C	1
	D14078	Clevis Pin, 1/4 x 7/8 ZP	1
	D14934	Hairpin, 1/4 ZP	1
	F14585	Screw, Hex Head Cap, 1/4-20 x 5/8 ZP	2
	F01420	Nut, Nylon Lock, 1/4-20 ZP	2
	F01410	Washer, 1/4 SAE ZP	2
20		Work Top Assembly	
	C21006	Work Top Assembly	
	V21001	Top, 1" Particle Board, 15" x 31", Standard Grey	1
	H11402	T-Band, 1-1/4" Black Solid Convex	90"
	F44134	Screw, Flat Head Socket Cap, 1/4-20 x 1-3/4 Bk Ox	4
	F01420	Nut, Nylon Lock, 1/4-20 ZP	4
21		Bar Spring Assembly	
	N21366	Single Coil Torsion Bar Spring	1
	M21066	Plate, Bar Spring Retainer, Egalv	1
	F14340	Carriage Screw, 1/4-20 x 3/4 ZP	2
	F01420	Nut, Nylon Lock, 1/4-20 ZP	2
22		Safety Switch Assembly	
	E10850	Actuator, Magnetic	1
	E10850	Switch, Magnetic Reed	1
	F08112	Screw, Flat Head Phillips Machine, 8-32 x 1-1/2 ZP	4
	H38507	Spacer, White Nylon, 3/8 OD x 5/32 ID x 7/8 L	4
	F08032	Nut, Nylon Lock, 8-32 ZP	4
23		Drill Stop Switch Assembly	
	E10850	Actuator, Magnetic	1
	E10850	Switch, Magnetic Reed	1
	F08322	Screw, Flat Head Phillips Machine, 8-32 x 1/2 ZP	4
	F08032	Nut, Nylon Lock, 8-32 ZP	4



TSM-21

POCKET HOLE MACHINE

Parts List





CASE ASSEMBLY - Drawing 4 of 4

Item #	Part #	Part Description	Qty	Item #	Part #	Part Description	Qty
1 Transformer Assembly				8 Control Valve Assembly			
	E11424	Transformer, 120V Primary, 24V Secondary	1		P21224	3 Way Poppet Solenoid Valve, 24 VDC,	3
	D81614	Spade Lug, 16-14 AWG #8	2		P14018	Legris 1/8 NPT x 1/4 PI-EL-SW	2
	F63238	Screw, Pan Phillips Machine, 6-32 x 3/8 ZP	2		P00535	1/8 NPT x 5/32 PI Swivel Elbow - Legris	4
	F63260	Nut, Lock Washer, 6-32 Kep ZP	2		P00018	1/8 NPT Brass Muffler/Breather	3
2 Control Board Assembly					P53218	Tubing, 5/32 OD x 3/32 ID Black Polyethelene	48"
	E21024	EL-21 Solid State Control Board	1		P53118	Tubing, 5/32 OD x 3/32 ID Natural Polyethelene	44"
	E21016	Terminal Strip, 16 Pin	1		S12043	Spiral Wrap, 1/2" Black Polyethelene	32"
	H00015	Circuit Board Support	3		F63212	Screw, Flat Hd Phillips, Machine, 6-32 x 2-1/2 ZP	2
	E22708	Wire, 22AWG, 2 Strand, Grey Jacketed	22"		F63260	Nut, Lock Washer, 6-32 Kep ZP	2
	E22708	Wire, 22AWG, 2 Strand, Grey Jacketed	32"	9 D01531 Panel Nut, Metal			
	E22708	Wire, 22AWG, 2 Strand, Grey Jacketed	54"				1
3 H30843 Plate, Power Switch On/Off				10 Control Panel Enclosure Assembly			
			1		M21014	Control Panel Enclosure, 14 GA Egalv	1
4 F75702 Nut, Power Switch Mounting					F14212	Carriage Screw, 1/4-20 x 1/2 ZP	2
			1		F01420	Nut, Nylon Lock, 1/4-20 ZP	2
5 E75762 Switch, Power, 30 A, 125 VAC					E21143	Power Cord, 14-3 SJT w/ 3 Prong Plug	1
			1		D81614	Spade Lug, Vinyl, 16-14 AWG # 8	3
6 Regulator Assembly				11 Motor Power Outlet Assembly			
	P14113	Regulator, Parker, 1/4 NPT, 0-125 PSI	1		E00000	Outlet, Duplex	1
	P12447	1/4 x 5/32 PI Swivel Elbow	1		E96184	Wire, 20AWG Stranded, Green	10"
	P25421	Nipple, 1/8 NPT Hex Close	1		E96183	Wire, 14AWG Stranded, Red	10"
	P18230	Fitting, 1/8M x 1/8 Barb, White Nylon Elbow	1		F63238	Screw, Pan Phillips Machine, 6-32 x 3/8 ZP	2
	P01418	Tubing, 1/4 OD x 1/8 ID, Black Polyurethane	6"		F63260	Nut, Lock, 6-32 Kep ZP	2
	P53202	Tubing, 5/32 OD x 3/32 ID Black Polyethelene	6"	12 Slot Cover Assembly			
	P53293	Tubing, 5/32 OD x 3/32 ID Clear Polyethelene	6"		M00130	Back Plate Slot Cover	1
7 Router Speed Control Assembly					S11436	Tape, PVC Foam S/A 1-1/4"	6"
	P00117	Valve, Flow Control, SMC NAS-2000-N01	1		F63210	Screw, Pan Phillips Machine, 6-32 x 1/2 ZP	4
	P00535	1/8 NPT x 5/32 PI Swivel Elbow	1		F63260	Nut, Lock, 6-32 Kep ZP	4
	P53202	Tubing, 5/32 OD x 3/32 ID Black Polyethelene	6"				