

Castle Model TSM-35

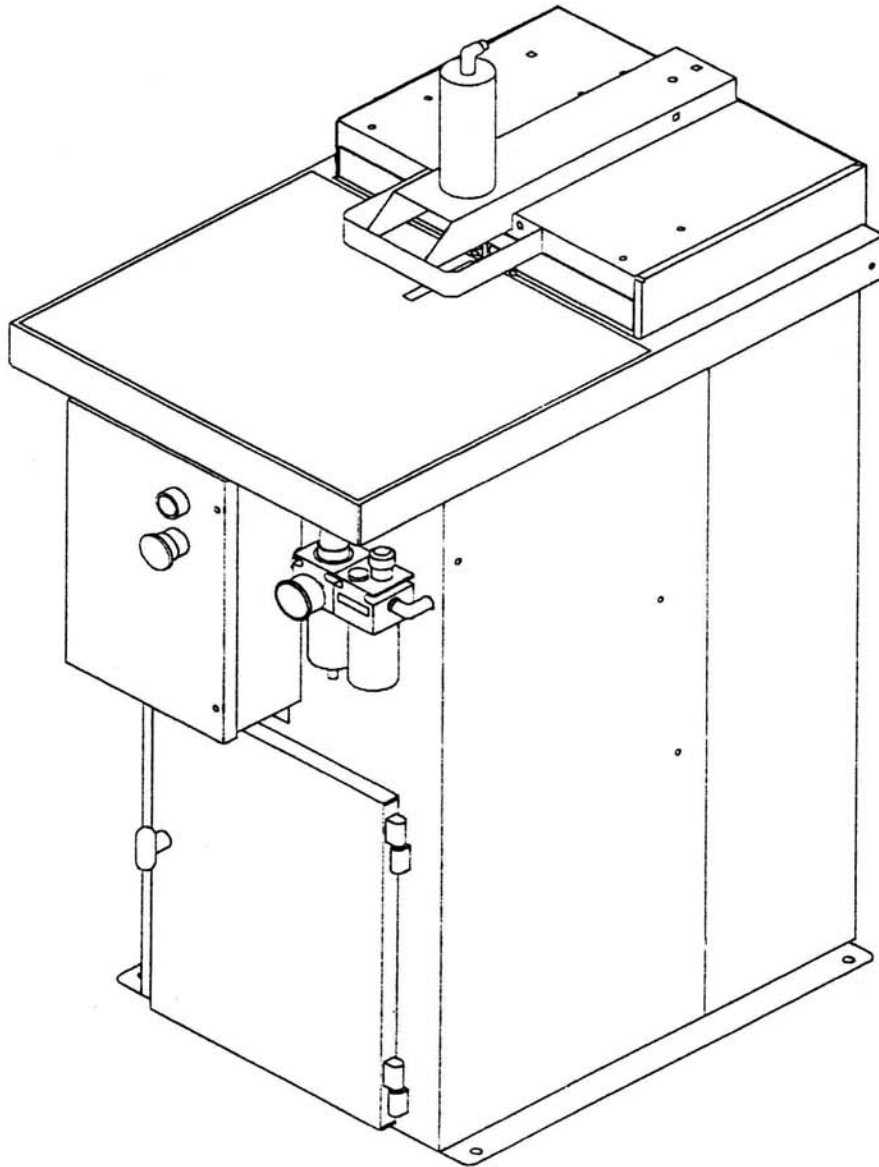
Heavy Duty Screw Pocket Machine

For Models with Serial Number 61825 to 63657
Items Included with Machine

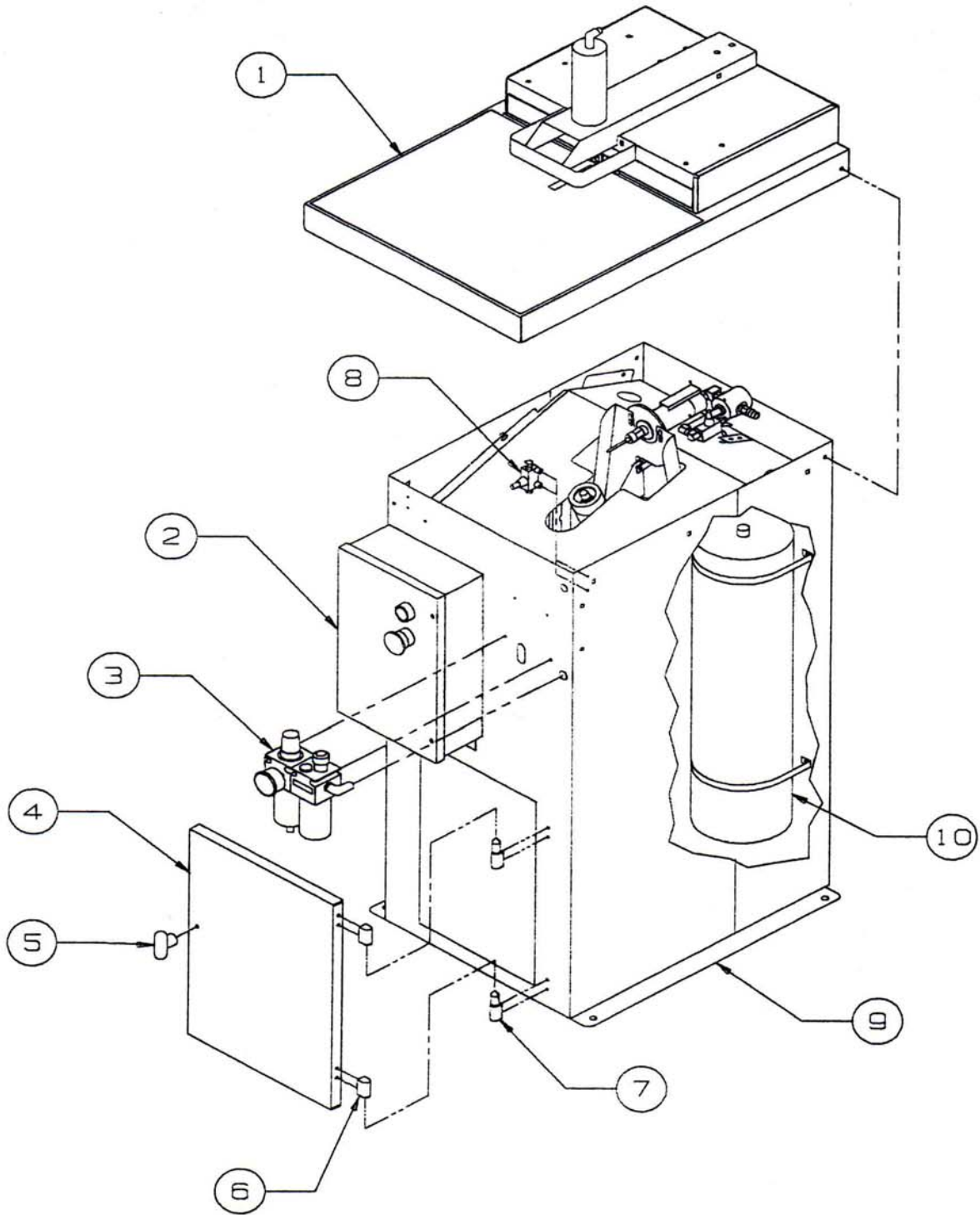
Part No.	Description	Qty
B02964	9/64" Castle Premium Brad Point Drill Bit w/ 1/4" Shank	1
B00338	Solid Carbide 3/8" Three Flute Rough Mill Cutter	1
T42596	Wrench, Porter Cable 690	2
B00622	Square Driver Bit, #2 x 6"	1
S00350	Sioux Air Tool Oil	1 Qt
O00234	Bit Depth Guage	1
S90035	Operator's Manual	1

NOTES:

1. CABINET ASSEMBLY DETAIL - PAGE 2
2. TOP ASSEMBLY DETAIL - PAGE 3
3. ROUTER AND DRILL CARRIAGE DETAILS - PAGE 4
4. ELECTRICAL BOX ASSEMBLY - PAGE 5



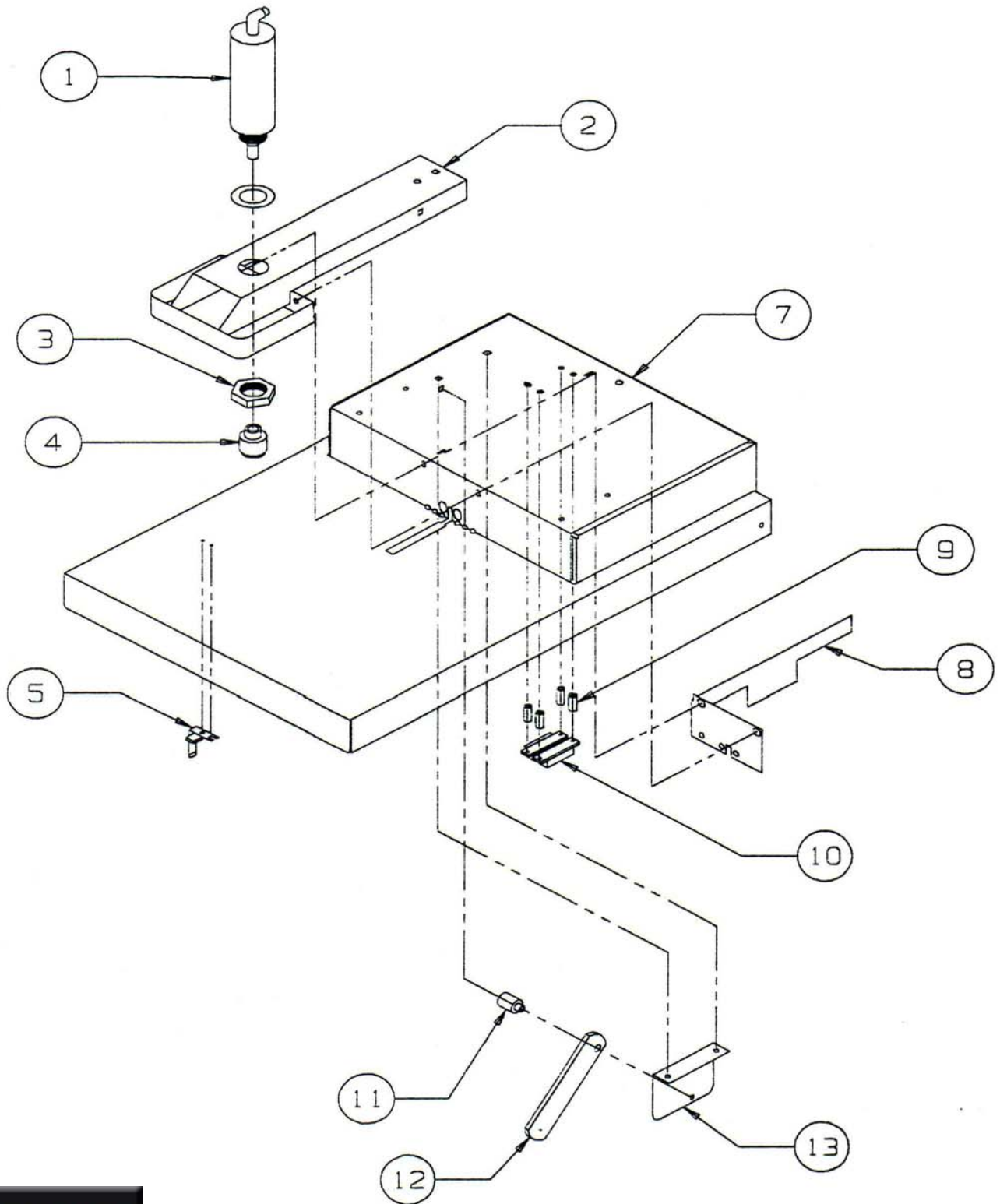
TSM-35
HEAVY DUTY POCKET MACHINE **1 OF 5**



TSM-35
CASE ASSEMBLY DETAIL **2 OF 5**

DRAWING 2 OF 5 - CASE ASSEMBLY

Item #	Part #	Part Description	Qty	Item #	Part #	Part Description	Qty
1	C35010	TSM-35 Case Top Assembly	1				
2	C35035	TSM-35 Control Assembly, Low Voltage	1				
	or C35056	TSM-35 Control Assembly, High Voltage	1				
3	C35002	TSM-35 FRL Assembly					
	P35066	TSM-35 Filter/Regulator, Parker	1				
	P35067	TSM-35 Lubricator, Parker	1				
	P35068	TSM-35 FRL Mount Bracket	1				
	P35069	TSM-35 FRL Connector	1				
	P01478	TSM-35 Gauge	1				
	P21244	1/4 M x 3/8 PI Elbow Norgren	1				
	P26844	1/4M x 1/4 PI Straight Alkon	1				
	P14116	1/4 Male Street L Brass	1				
4	C00010	Castle Front Door Assembly					
	M00400	Door, Front, Black w/ Logo	1				
5	C00015	Door Handle Assembly					
	H00141	Bar Knob, Plastic, 1/4-20	1				
	N00101	Spring Door Clip	1				
	F14585	Screw, Hex Head Cap, 1/4-20 x 5/8 ZP	1				
6		Door Hinge Assembly					
	D00720	Hinge, Plastic, Black, Female	2				
	F10011	Screw, Pan Head Phillips, 10-24 x 1/2 ZP	4				
7		Case Hinge Assembly					
	D00710	Hinge, Plastic, Black, Male	2				
	F10011	Screw, Pan Head Phillips, 10-24 x 1/2 ZP	4				
8		Router Feed Rate Control					
	P00117	Valve, Flow Control, SMC NAS-2000-N01	1				
	P18165	Fitting, 1/8 NPT x 1/16 Side Out Barb, Brass	1				
	P18161	Fitting, 1/8 NPT x 1/16 Barb, White Nylon	1				
	F08112	Screw, Pan Phillips, 8-32 x 1-1/2 ZP	2				
	F08032	Nut, Nylon Lock 8-32	2				
9		Main Case					
	U35001	Case Front, Green	1				
	U35002	Case Rear, Green	1				
	U35003	Case Bottom, Green	1				
	U35005	Case Left Side, Green	1				
	U35006	Case Right, Green	1				
	S00320	Label, Serial Number	1				
	M35033	TSM-35 Pivot Plate	2				
	O00400	Dust Port Tube, 4" x 3-1/2"	1				
	F14584	Carriage Bolt, 1/4-20 x 5/8 ZP	22				
	F01420	Nut, Nylon Lock, 1/4-20 ZP	22				
	F38034	Carriage Bolt 3/8-16 x 3/4 ZP	4				
	F38168	3/8 Hex Nut	8				
	F03810	Washer, 3/8 SAE ZP	4				
	F01410	Washer, 1/4 SAE ZP	4				
	F51684	Carriage Bolt, 5/16-18 x 4 ZP	4				
	F00516	5/16 Anti Turn Washer	4				
	F51699	Nut, Nylon Lock, 5/16-20 ZP	4				
	D08320	Cable Tie Holder, Small White Nylon	5				
10		Air Reservoir Assembly					
	G35014	Air Tank w/ Bulkheads, 6" x 20", Black	1				
	F14210	Carriage Bolt, 1/4-20 x 1 ZP	4				
	F01411	Washer, 1/4 USS ZP	4				
	F01420	Nut, Nylon Lock, 1/4-20 ZP	4				
	P38220	4 Way Cross Tee, Brass	1				
	P00087	3/8 M x 3/8 PI Elbow	2				
	P38523	3/8 Hex Nipple	1				
	P38921	3/8 Brass Drain Cock	1				



TSM-35
TOP ASSEMBLY DETAIL **3 OF 5**

DRAWING 3 OF 5 - TOP ASSEMBLY

Item #	Part #	Part Description	Qty
1		Clamp Cylinder	
	P00215	Cylinder Spring Return, 2" Bore, 1.5" Stroke, SS Rod	1
	F12222	1/2-20 Hex Jam Nut	1
	P14414	Fitting, 1/4 NPT x 1/4 Push In Elbow	1
	H10138	Washer, Fiber, 1-3/8 ID	1

Item #	Part #	Part Description	Qty
2		Clamp Guard	
	M00210	TSM Clamp Guard, Yellow	1
	F14234	Carriage Bolt, 1/4-20 x 1-3/4 ZP	1
	F01410	Washer, 1/4 SAE ZP	1
	F01420	Nut, Nylon Lock, 1/4-20 ZP	1
	F14378	Screw, Button Head Socket, 1/4-20x7/8, BkOxide	2
	F14201	Nut, Pem Self Clinching, 1/4-20 #1	2

Item #	Part #	Part Description	Qty
3	F11412	Nut, Hex Jam 1-1/4-12 ZP	1

Item #	Part #	Part Description	Qty
4		Clamp Foot Assembly	
	C00200	Clamp Foot, Small Zinc Plated	1
	N21351	Pad, Polyurethane 1-1/8"	1

Item #	Part #	Part Description	Qty
5		Safety Interlock Key	
	E03322	Key, Security Interlock, ABB LSA30	1
	F08032	Nut, Nylon Lock, 8-32 ZP	2

Item #	Part #	Part Description	Qty
7		Main Case Top	
	C35010	Case Top, Black	1
	U35102	Case Top Laminate, Dolphin Grey	1
	C00350	Face Plate Laminate, Dolphin Grey	1
	C00210	Label, Warning, Keep Hands Clear, Lexan	1

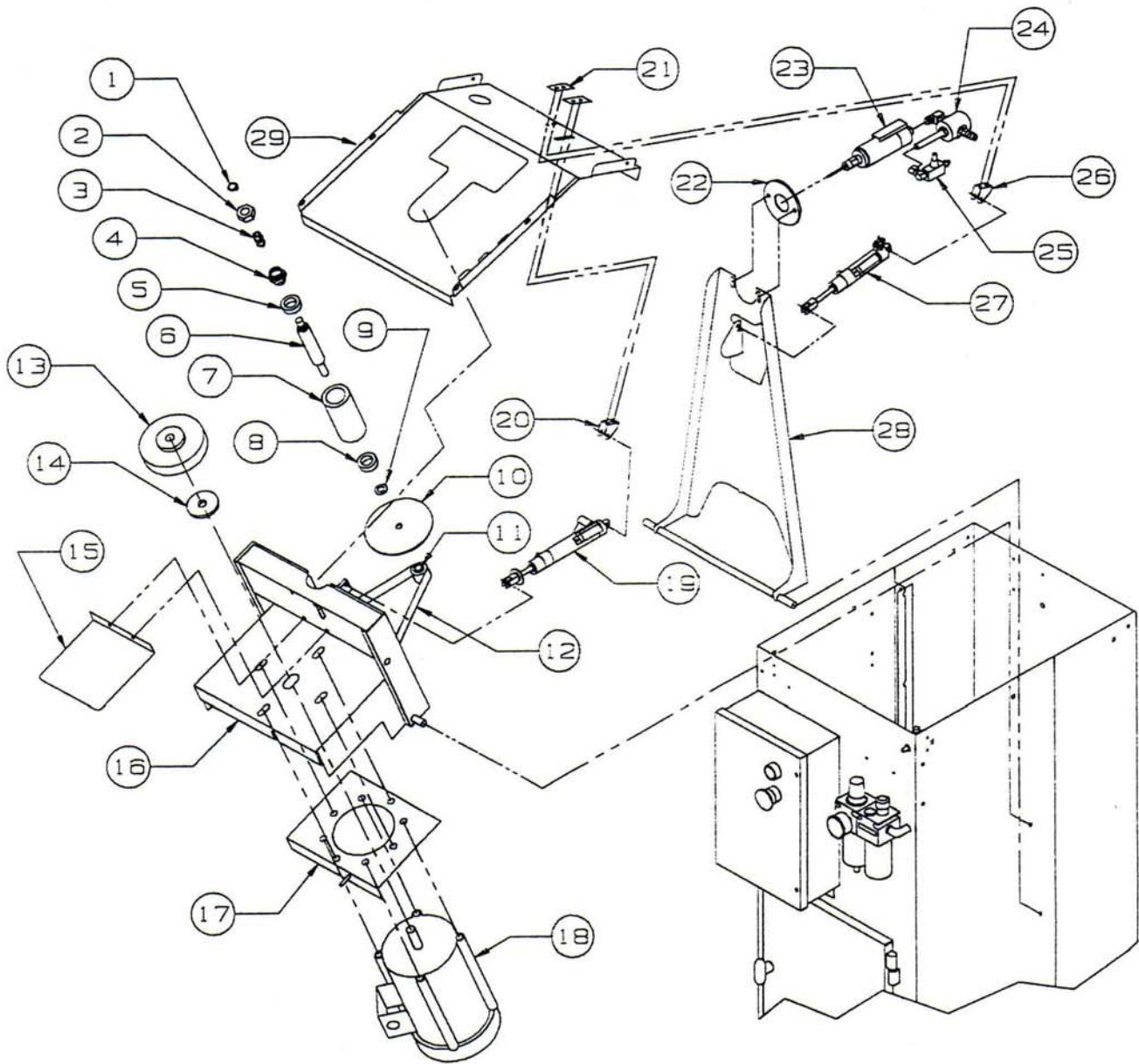
Item #	Part #	Part Description	Qty
		Case Top Hinge Assembly	
	F38118	Shoulder Bolt 3/8 x 1-1/2	2
	F51699	Nut, Nylon Lock, 5/16-18 ZP	2
	F03810	Washer, 3/8 SAE ZP	2

Item #	Part #	Part Description	Qty
8		Safety Switch / Blade Assembly	
	C35101	TSM-35 Safety Blade	1
	M35016	Screw, Button Head Socket, 10-32 x 5/8 Bk Oxide	3
	F10358	Nut, Hex Jam, 10-32 ZP	1
	F10322	Nut, Nylon Lock, 1/4-20 ZP	2

Item #	Part #	Part Description	Qty
9		Safety Switch Mounting Assembly	
	F08122	Screw, Pan Phillips Machine, 8-32 x 1-1/2 ZP	4
	F08032	Nut, Nylon Lock, 8-32 ZP	4
	N38314	3/8 OD x 1/4 ID x 5/16L Spacer	2
	D38507	#8 Spacer, Nylon, 3/8 OD x 7/8" L	4

Item #	Part #	Part Description	Qty
10		Safety Switch	
	E10850	1085TW Magnet and Magnetic Reed Switch	1
	E22708	Wire, 22AWG, 2 Strand, Grey Jacketed	64"
	P38012	Tubing, 3/8 OD Black Polyethelene	22"

Item #	Part #	Part Description	Qty
11,12,13		Lid Catch Mounting Assembly	
	U35040	Lid Catch, Plated	1
	F14225	Carriage Bolt, 1/4-20 x 1 ZP	2
	F01410	Washer, 1/4 SAE ZP	6
	F01420	Nut, Nylon Lock, 1/4-20 ZP	2
	N38314	Spacer, Steel, 3/8 OD x 1/4 ID x 5/16 L ZP	2



TSM-35
DRILL & ROUTER CARRIAGE ASSEMBLY **4 OF 5**

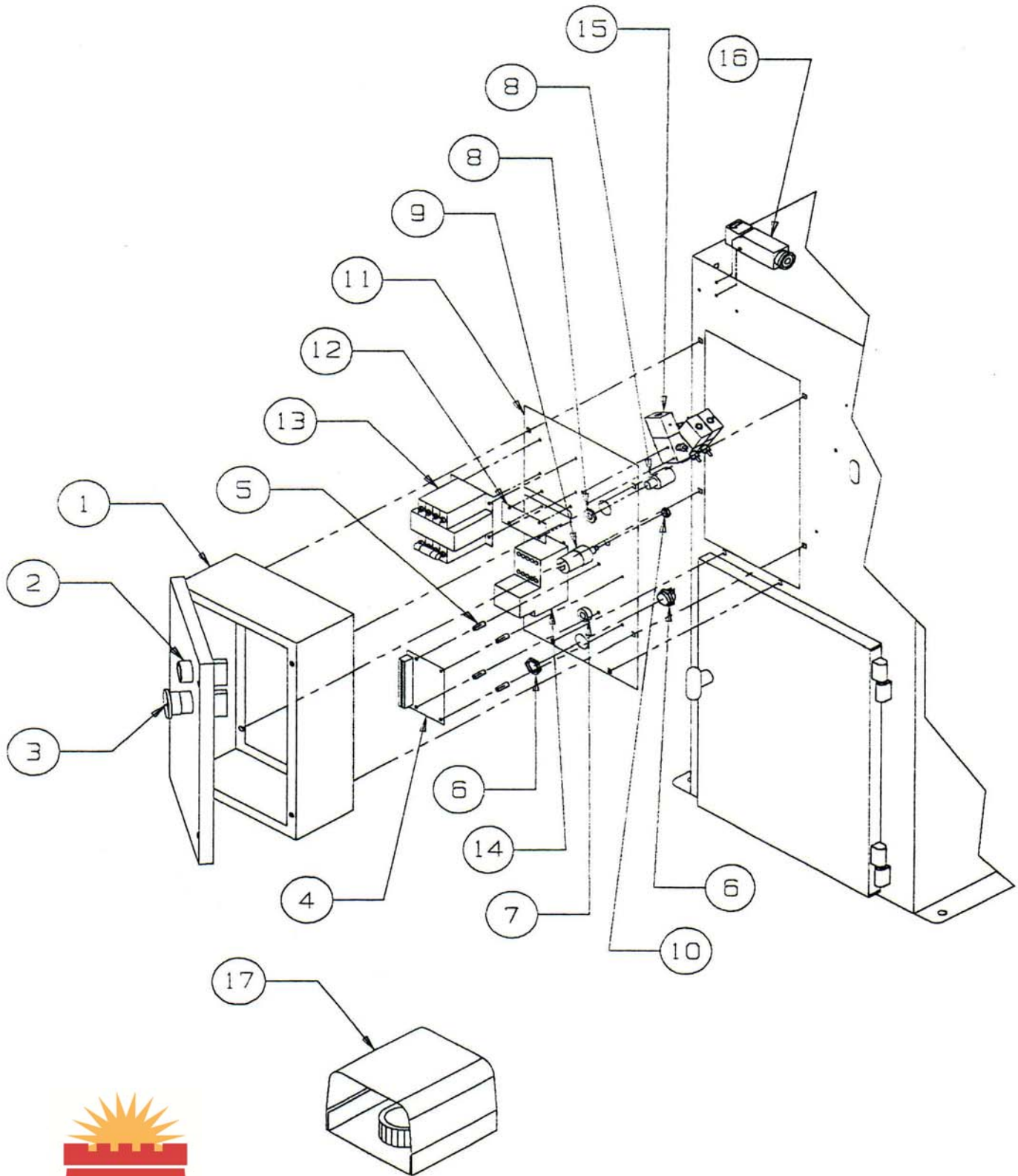
DRAWING 4 OF 5 - ROUTER SPINDLE ASSEMBLY

Item #	Part #	Part Description	Qty
D50038 3/8" Collet Assembly			
1		Snap Ring, Collet	1
2		Nut, Collet	1
3		Collet, 3/8"	1
C35003 Router Spindle Assembly			
4	D50055	Chuck	1
5	H78065	Bearing	1
	D35137	Snap Ring, Internal,	1
6	N35313	Router Spindle, Stress Proof Steel	1
7	N35352	Spindle Housing	1
8	H78065	Bearing	1
9	H58010	Bushing, Machinery 1" OD x 5/8 ID	1
10	U35011	Flywheel, 10 GA. Steel, 4.95 OD ZP	1
11	N35353	Small Driven Pulley	1
	F51625	Screw, Hex Head Cap, 5/16-24 x 3/4 Grade 5 ZP	1
	F01411	Washer, 1/4 USS ZP	1
12	H12075	Belt, Flat Drive, 1" x 20.75	1
13 C35115 Drive Pulley Assembly			
	N35355	Large High Speed Drive Pulley	1
	H00058	Woods Bushing QT 5/8	1
	F14219	Ribbed Neck Carriage Bolt 1/4-20 x 2	2
	F01420	Nut, Nylon Lock, 1/4-20 ZP	2
14	H35005	Motor Shaft Slinger	1
15	M35030	Belt Cover	1

Item #	Part #	Part Description	Qty
16 Router Carriage Assembly			
	G35103	Router Motor Carriage	1
	F14222	U-Bolt, 1/4-20 x 1-1/2 ZP	2
	F01420	Nut, Nylon Lock, 1/4-20 ZP	7
	F01410	Washer, 1/4 SAE ZP	5
	F38161	Screw, Hex Head Cap, 3/8-16 x 1" ZP	4
	F03876	Washer, 3/8 USS ZP	4
	N03442	Bushing, 3/4" Hex Brass Carriage Pivot	2
	F14458	Screw, Cup Point Socket Head Set, 1/4-20 x 1-1/4	2
17	M35010	Motor Pull Plate	1
18 Motor Assembly			
	E35501	Motor, BaldorTEFC, 1-1/2HP 3Phase 3550RPM	1
	E35164	Motor Cord, 16-4 SOW	60"
	D12001	Clamp Connector, 3/8 - 1/2 KO	1
	H00604	Motor Slinger	1
19 Router Drive Cylinder Assembly			
	C35021	Cylinder, 1.06 DXPSRM Bore, 3" Stroke, Dbl Acting	1
	P35300	Fitting, 1/8 NPT x 1/16 Side Out Barb, Brass	1
	P18165	Fitting, 1/8 NPT x 5/32 Push In Swivel Elbow	1
	P00535	Shrader Clevis Kit	1
	D07130	Washer, 5/16 Large OD ZP	1
	F51600	Bumper, Black Rubber, 1" OD x 5/8 ID x 7/8 L	1
	H15858	Clevis Pin, 1/4 x 3/4	1
	D14034	Hairpin Cotter, 1/4 ZP	1
	D14934	Nut, Hex Jam, 1/4-20 ZP	1
	F01424	Washer, 1/4 SAE ZP	1
	F01410	Tubing, Clear Polyurethane, 5/32 OD	44"
	P53293	Tubing, White Polyurethane, 1/8 OD x 1/16 ID	62"
	P16181	Switch, Magnetic Reed	1
	E35010	Wire, 22 AWG, 2 Strand, Grey Jacketed	45"
	E22708	Switch Strap Assembly	1
	E35009		

DRAWING 4 OF 5 - ROUTER SPINDLE ASSEMBLY

Item #	Part #	Part Description	Qty	Item #	Part #	Part Description	Qty
20		Clevis Bracket Assembly		26		Clevis Bracket Assembly	
	D07111	Clevis Bracket, 1/4" ZP	1		D07111	Clevis Bracket, 1/4" ZP	1
	D14078	Clevis Pin, 1/4 x 7/8 ZP	1		D14078	Clevis Pin, 1/4 x 7/8 ZP	1
	D14934	Hairpin, 1/4 ZP	1		D14934	Hairpin, 1/4 ZP	1
21		Pallet Pivot Bracket Assembly		27		Drill Drive Cylinder Assembly	
	U35009	Bracket, Pallet Pivot	2		C35022	Drill Drive Cylinder Assembly	
	F14585	Screw, Hex Head Cap, 1/4-20 x 5/8 ZP	4		P35125	Cylinder, 1.06 Bore, 1.25" Stroke, Dbl Acting	1
	F01420	Nut, Nylon Lock, 1/4-20 ZP	2		D07130	Shrader Clevis Kit	1
					D14034	Clevis Pin, 1/4 x 3/4	1
					D14934	Hairpin, 1/4 ZP	1
					P18162	Fitting, 1/8 NPT x 1/8 Barb Black Nylon	1
					P16182	Tubing, Black Polyurethane, 1/8 OD x 1/16 ID	41"
					P25421	Nipple, 1/8M Hex Close	1
					P00117	Valve, Flow Control, SMC NAS-2000-N01	1
					P10328	Bushing, 10-32 x 1/8 NPT Brass	1
					P10320	Valve, SQE 10-32 Brass	1
					P10321	Fitting, 10-32 M x 1/16 Barb, White Nylon	1
					P10322	Fitting, 10-32 M x 1/16 Barb, Black Nylon	1
					P16182	Tubing, Black Polyurethane, 1/8 OD x 1/16 ID	31"
					E35010	Switch, Magnetic Reed	1
					E22708	Wire, 22AWG, 2 Strand, Grey Jacketed	45"
					E35009	Switch Strap Assembly	1
22		Drill Motor Mount Assembly		28		Drill Carriage Assembly	
	U35017	Bracket, Drill Motor Mount, ZP	1		C35011	Drill Carriage Assembly	
	F14340	Carriage Bolt, 1/4-20 x 3/4 ZP	2		G35101	Drill Carriage	1
	F01420	Nut, Nylon Lock, 1/4-20 ZP	2		N03442	Bushing, 3/4" Hex Carriage Pivot	2
	F01410	Washer, 1/4 SAE ZP	2		F14458	Screw, Cup Point Socket Head Set, 1/4-20 x 1-1/4	2
					F01420	Nut, Nylon Lock, 1/4-20 ZP	2
					F01410	Washer, 1/4 SAE ZP	2
23		Drill Motor Assembly		29		Pallet, White	
	P01956	Air Motor, Sioux Model 1954HPHT	1		U35008	Pallet, White	1
	B00964	Castle Drill Bit, 9/64 Cobalt w/ 1/4" Shank	1		H35013	MDS Filled Nylon Wear Strip, Cut to 3/4" L	1
	D71230	Cable Tie, Black Nylon, 7-1/2"	1		F01420	Nut, Nylon Lock, 1/4-20 ZP	6
	D50044	Sioux 1/4" Collet	1		F01410	Washer, 1/4 SAE ZP	6
	D10140	Sioux 1/4" Collet Nut	1		F14340	Carriage Bolt, 1/4-20 x 3/4 ZP	6
24		Drill Pilot Valve Assembly					
	P35250	Valve, Humphrey Drill Pilot	1				
	P14214	Nipple, 1/4M, Hex Close	1				
	P14116	Fitting, Street L Brass, 1/4 NPT M/F	1				
	P71415	1/4 NPT Red Plastic Plug	1				
	P35389	Hose Assembly, 3/8 Red Urethane W/ Fitting	1				
25		Drill Delay Valve Assembly					
	C35005	Drill Delay Valve Assembly					
	P00117	Valve, Flow Control, SMC NAS-2000-N01	1				
	P00538	Fitting, 1/8 NPT x 5/32 Push In Straight	1				
	P18141	Fitting, 1/8 NPT Street L M/F	2				
	P18030	Pipe Nipple, 1.8 NPT x 3" Copper	1				



TSM-35
CONTROL PANEL DETAIL

DRAWING 5 OF 5 - CONTROL PANEL ASSEMBLY

Item #	Part #	Part Description	Qty	Item #	Part #	Part Description	Qty
1		Control Panel Enclosure Assembly					
	M00134	Control Panel Enclosure	1				
	F14225	Screw, Hex Head Cap. 1/4-20 x 1 ZP	4				
	F01420	Nut, Nylon Lock, 1/4-20 ZP	4				
	S17578	Label, Caution, "Wear Safety Glasses"	1				
	S13264	Label, Warning, "Danger Electrical Hazard"	1				
	S11635	Label, "Made in USA"	1				
	S35002	Label, Wiring Diagram	1				
	D06627	Cable Tie Anchor, White Nylon, W/ Adhesive	2				
2		Start Switch Actuator Assembly					
	C30351	3SB3000-0AA41 Start Switch	1				
	E03041	Normally Open Contact Block	1				
3		Stop Switch Actuator Assembly					
	C30352	3SB3000-1XA20 Stop Switch	1				
	E03000	Normally Closed Contact Block	1				
4	E35424	Control Board, EL-35D	1				
5		Control Board Mounting Assembly					
	D08012	1/4 x 1/2 #8 Plastic Spacer	4				
	F08100	Screw, Pan Head Phillips, 8-32 x 1 ZP	4				
	F08132	Nut, Lock Washer, 8-32 Kep ZP	4				
6	D12001	Clamp Connector & Nut, Romex 3/8-1/2 KO	1				
7	H12516	Grommet, Black Rubber, 5/16 ID x 1/2 OD	1				
8		Strain Relief					
	D49600	90 Degree Cord Grip	1				
	E03185	1/2 Conduit Locknut	1				
9		Pressure Sensor Switch					
	E35420	Switch, Air Pressure Sensing	1				
	D22181	Terminal, 22-18 Fully Insulated, Female	2				
	P33228	Fitting, 10-32 x 1/16 Barb, Black Nylon	1				
	P01418	Tubing, 1/4 OD x 1/8 ID, Black Urethane	1"				
10	F38241	Nut, Hex Jam, 3/8-24 ZP	1				
11		Control Panel Back Plate					
	M35013	Control Panel Back Plate	1				
	F14212	Carriage Bolt, 1/4-20 x 1/2 ZP	2				
	F01423	Nut, Hex, 1/4-20 ZP	2				
12		Contol Panel Back Plate Slot Cover					
	M00130	Back Plate Slot Cover	1				
	F08324	Screw, Pan Phillips Machine, 8-32 x 3/4 ZP	4				
	F08132	Nut, Lock Washer, 8-32 Kep ZP	4				
	S11436	Tape, PVC Foam S/A 1-1/4"	7.2"				
13		Transformer Assembly					
	E35713	Transformer,50VA,Multi-Input,24VAC Output	1				
	E16224	Fuse, 250V	1				
	D82218	Vinyl Spade Lug, 22-18 #8	2				
	E18373	Wire, 18AWG Hookup Blue	16.5"				
	E18371	Wire, 18AWG Hookup Grey	17"				
	D81614	Vinyl Spade Lug, 16-14 #8	2				
	D61614	Vinyl Ring Lug, 16-14 #8	1				
	E18374	Wire, 18AWG Hookup Orange	27"				
	F08324	Screw, Pan Phillips Machine, 8-32 x 3/4 ZP	3				
	F08100	Screw, Pan Phillips Machine, 8-32 x 1" ZP	1				
	F08132	Nut, Lock Washer, 8-32 Kep ZP	4				

DRAWING 5 OF 5 - CONTROL PANEL ASSEMBLY

Item #	Part #	Part Description	Qty	Item #	Part #	Part Description	Qty
14	Starter Assembly						
	E03015	Contactora, Siemens 3RT1015-1AB01 24VDC	1				
	F83205	Screw, Pan Phillips Machine, 8-32 x 5/8 ZP	2				
	F08132	Nut, Lock Washer, 8-32 Kep ZP	2				
	E14316	Wire, 16AWG Stranded x 14"	3				
	E18379	Wire, 18AWG Hookup White	7.5"				
	E03116	Motor Overload, Siemens (460V) HI	1				
		OR					
	E03161	Motor Overload, Siemens (208/230V) LO	1				
15	Pneumatic Control Assembly						
	Clamp Valve						
	P21224	Parker 3 Way Poppet Solenoid Valve, 24 VDC	1				
	P00538	Fitting, 1/8NPT x 5/32 Barb Blk Nylon	2				
	P01418	Tubing, 1/4 OD x 1/8 ID, Black Polyurethane	2"				
	P31302	Fitting, 1/8 T Barb, Black Nylon	1				
	P01418	Tubing, 1/4 OD x 1/8 ID, Black Polyurethane	3"				
	P01418	Tubing, 1/4 OD x 1/8 ID, Black Polyurethane	71"				
	Router Valve						
	P49410	Parker 4 Way Solenoid Valve, 24 VDC	1				
	P00538	Fitting, 1/8NPT x 5/32 Barb Blk Nylon	1				
	P01418	Tubing, 1/4 OD x 1/8 ID, Black Polyurethane	1"				
	P31302	Fitting, 1/8 T Barb, Black Nylon	1				
	P01418	Tubing, 1/4 OD x 1/8 ID, Black Polyurethane	3.5"				
	P01418	Tubing, 1/4 OD x 1/8 ID, Black Polyurethane	17"				
	P18161	Fitting, 1/8NPT x 1/16 Barb, White Nylon	1				
	P16181	Tubing, 1/8 OD x 1/16 ID White Urethane	31"				
	P00538	Fitting, 1/8M x 5/32 Push In Straight	1				
	P53293	Tubing, 5/32 OD Clear	42"				
15	Pneumatic Control Assembly (Continued)						
	Drill Valve						
	P49410	Parker 4 Way Solenoid Valve, 24 VDC	1				
	P00538	Fitting, 1/8NPT x 5/32 Barb Blk Nylon	1				
	P01418	Tubing, 1/4 OD x 1/8 ID, Black Polyurethane	2"				
	P31302	Fitting, 1/8 T Barb, Black Nylon	1				
	P18162	Fitting, 1/8NPT x 1/8 Barb Black Nylon	1				
	P16182	Tubing, 1/8 OD x 1/16 ID Black Urethane	31"				
	P53202	Tubing, 5/32 OD x 3/32 ID, Black Urethane	30"				
	P33216	Fitting, 3/32 x 1/16 T Barb, Black Nylon	1				
	P53202	Tubing, 5/32 OD x 3/32 ID, Black Urethane	40"				
	Control Valve Assembly						
	F63230	Screw, Pan Phillips Machine, 6-32 x 3" ZP	2				
	F63201	Nut, Nylon Lock, 6-32 ZP	2				
	Harness Assembly						
	S12043	Spiral Wrap. 1/2" Black Polyethelene	22"				
	D40000	Cable Tie, White Nylon, 4"	23				
	D51213	Cable Tie, White Nylon, 5-1/2"	1				
16	Security Switch Assembly						
	E03200	Switch, Security Interlock, ABB LS35P80D11-S	1				
	H12516	Grommet, Black Rubber, 5/16 ID x 1/2 OD	1				
	E18202	Wire, 18-2 SJT, 2-Wire, Fully Insulated	25"				
17	Foot Switch Assembly						
	E00491	Switch, Foot Activated, Linemaster491-36SC w/Cord	1				
	M00235	Guard, Universal Footswitch	1				
	F40388	Screw, Oval Head Self-Tapping, #4 x 3/8 SS	2				

